

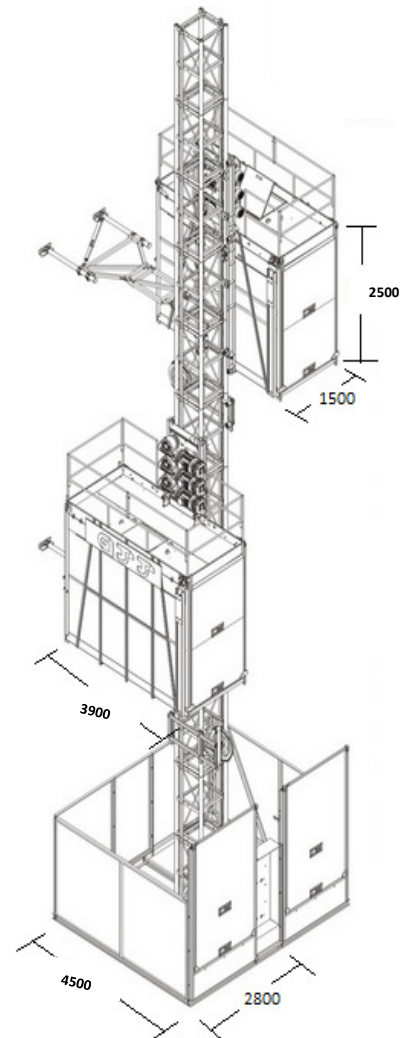


MAN & MATERIAL HOIST



27/39 – SC270G

- No Counterweight
- Smooth movement while starting
- Trans – speed function
- Start current is less than the rated current
- Low wear – out
- Call System



Type	27/36 - SC270G	
Payload Capacity	Kg/t	2700 / 2.7
Erection Load Capacity	Kg/t	2700 / 2.7
Lifting Device Capacity	Kg	250
Maximum Lifting Height <i>(Height can be increased)</i>	m	550
Speed	m/min	45
Safety Device		SAJ60-2.0
Cage Platform Dimensions <i>(Length x Width x Height)</i>	m	3.9 x 1.5 x 2.5
Mast Section Type	mm	650 x 650 x 1508
Motor Power	kW	3 x 15
Motor Current Capacity	A	40
Motor Starting Current	A	40
Power Consumption	KvA	80
Power Supply Fuses	KvA	153
Enclosure Weight	Kg	980
Cage Weight	Kg / t	1900 / 1.9
Driving Machine Weight	Kg / t	1300 / 1.3
Power Requirements		120amps 3 phase